



# INSTALLATION INSTRUCTIONS

Accessory  
**ILLUMINATED DOOR  
SILL TRIM**  
P/N 08E12-TR0-100

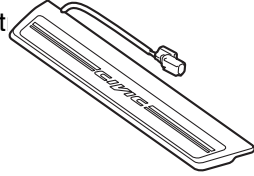
Application  
**2014 CIVIC  
4-DOOR**

Publications No.  
**All 50679-50845**

Issue Date  
**JAN 2014**

## PARTS LIST

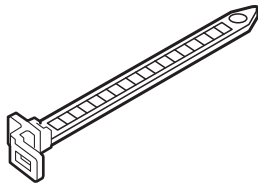
2 Front illuminated door sill trim



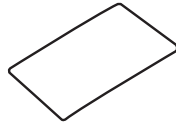
2 Rear door sill trims



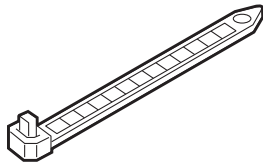
2 Wire ties with holder



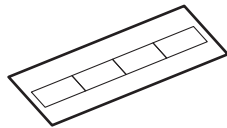
2 Aluminum tapes



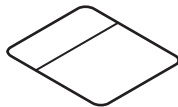
14 Wire ties



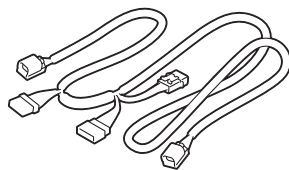
Fuse label



Protective tape



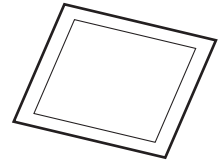
Door sill trim harness



2 Clips



2 Alcohol swabs



## TOOLS AND SUPPLIES REQUIRED

Phillips screwdriver

Ratchet

10 mm Socket

Diagonal cutters

Utility knife

Ruler

Felt-tip pen

Masking tape

Tape

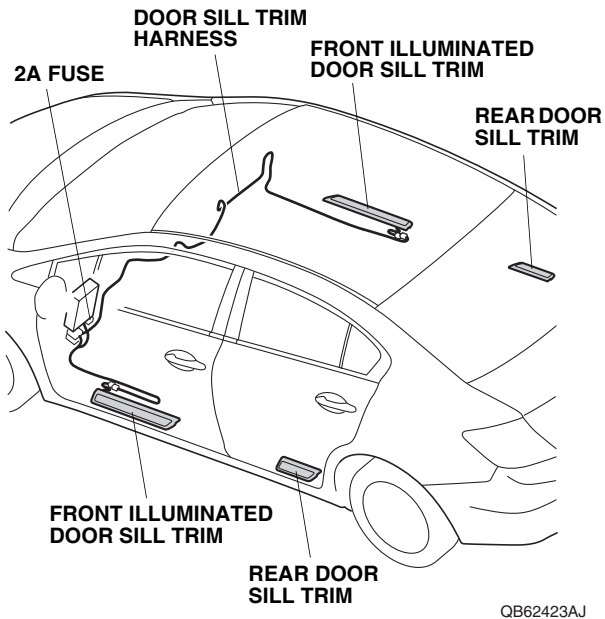
Isopropyl alcohol

Shop towel

*The following tool is available through the Honda Tool and Equipment Program. On the iN, click on: Service > Service Bay > Tool and Equipment Program, then enter the number under "Search". Or, call 888-424-6857.*

- Trim Tool Set (T/N SOJATP2014)

**Illustration of the Illuminated Door Sill Trim in the Vehicle**



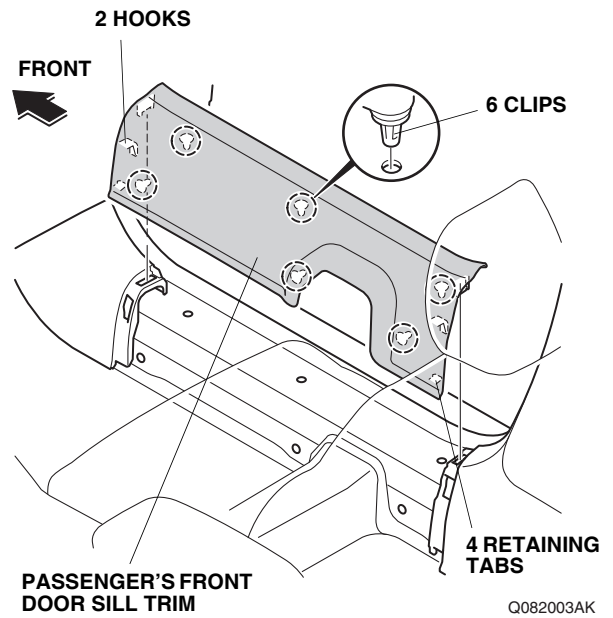
QB62423AJ

**INSTALLATION**

**Customer Information:** The information in this installation instruction is intended for use only by skilled technicians who have the proper tools, equipment, and training to correctly and safely add equipment to your vehicle. These procedures should not be attempted by “do-it-yourselfers.”

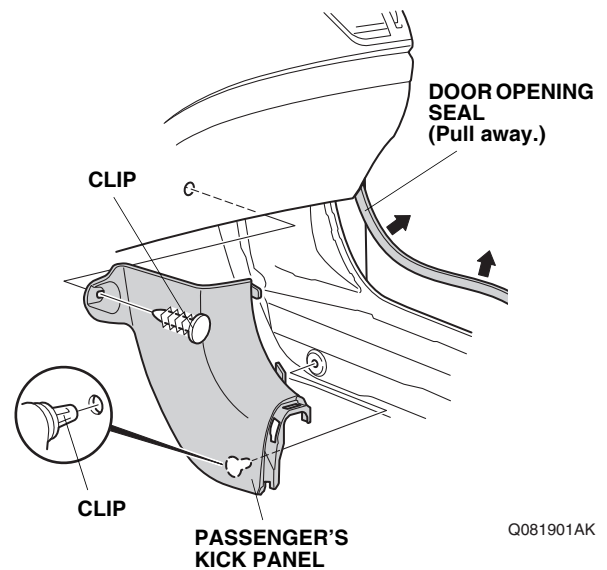
1. Disconnect the negative cable from the battery.

2. Remove the passenger’s front door sill trim (six clips, two hooks, and four retaining tabs).



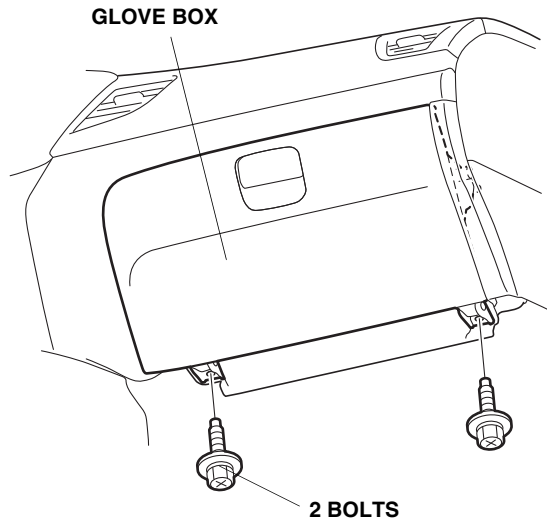
Q082003AK

3. Pull away the door opening seal, and remove the passenger’s kick panel (two clips).



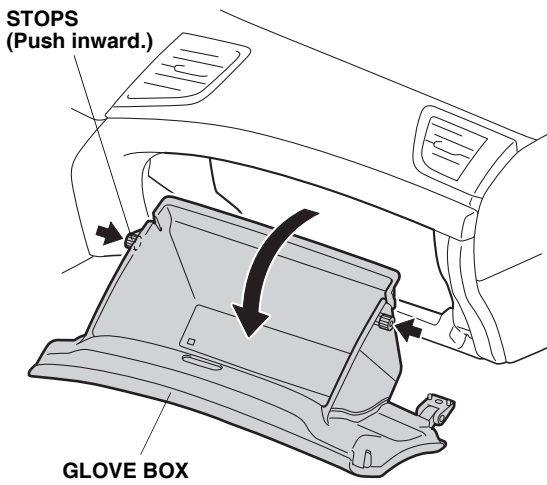
Q081901AK

4. Remove the glove box:
  - Remove two bolts.



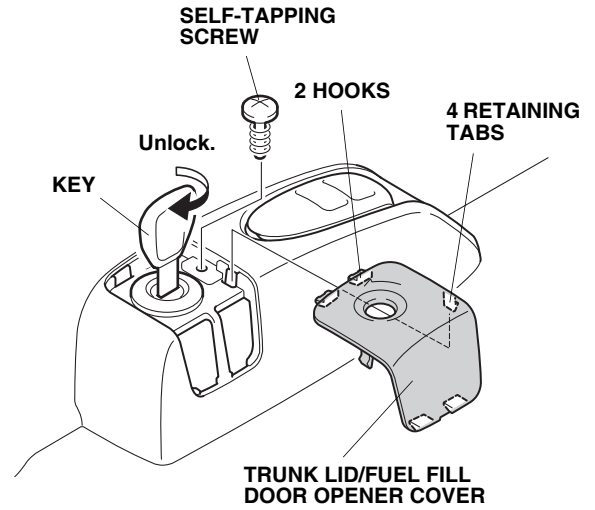
Q072101BH

- Open the glove box, push inward on the stops, and remove the glove box.



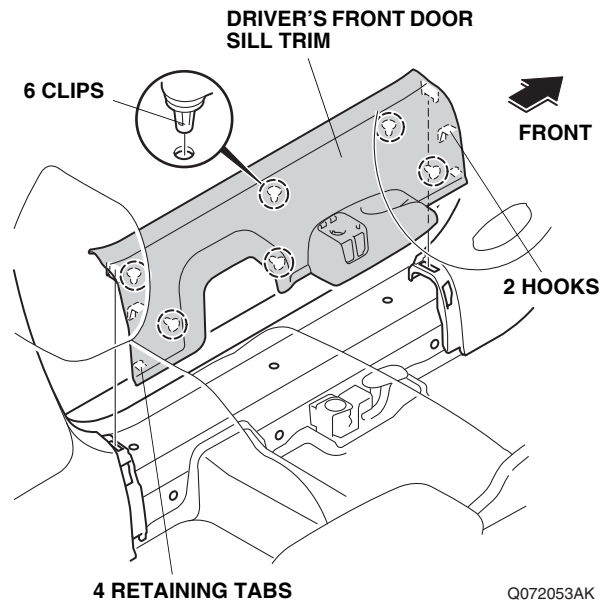
Q072102AH

5. Remove the trunk lid/fuel fill door opener cover (four retaining tabs and two hooks). Remove one self-tapping screw. Using the key, unlock the trunk lock.



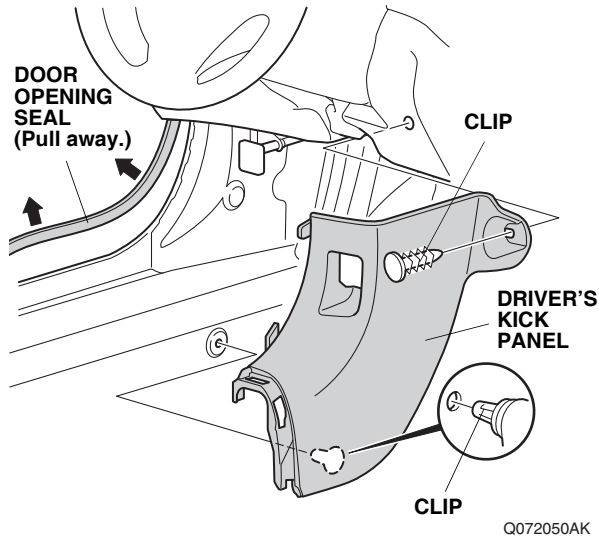
Q072052AK

6. Remove the driver's front door sill trim (six clips, two hooks, and four retaining tabs).

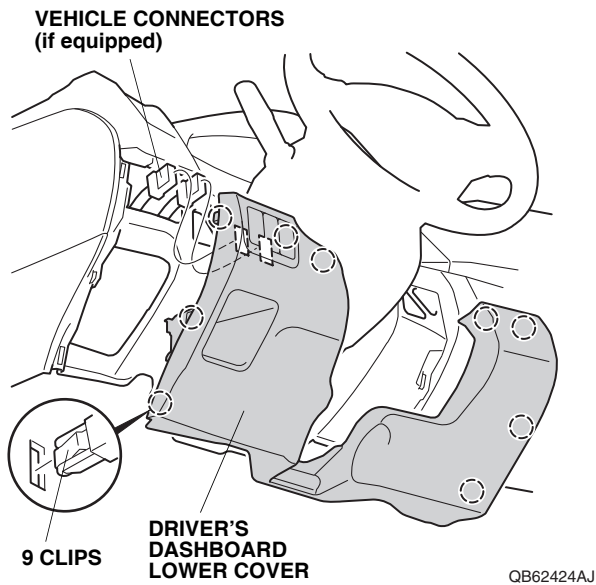


Q072053AK

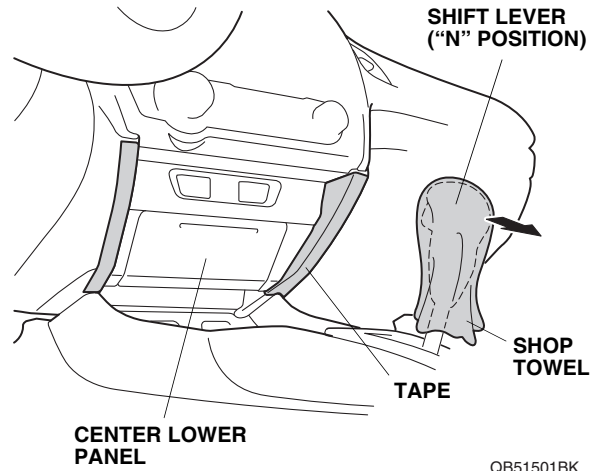
- Pull away the door opening seal, and remove the driver's kick panel (two clips).



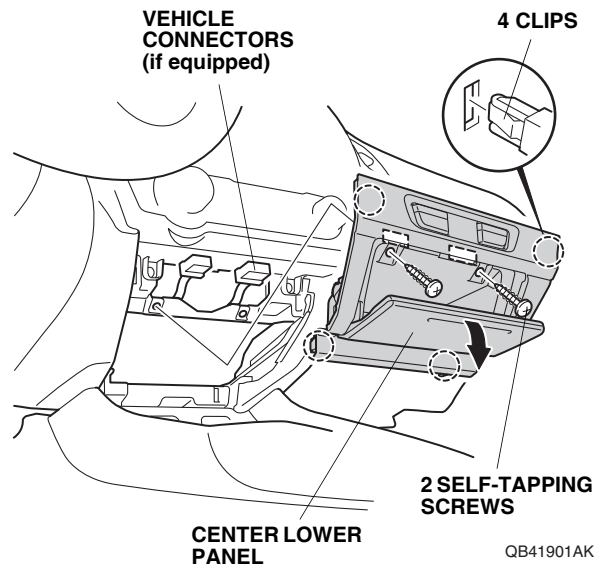
- Remove the driver's dashboard lower cover (nine clips and unplug the vehicle connectors, if equipped).



- To protect the vehicle, attach tape to the dashboard in the areas shown. Move the shift lever to the "N" (neutral) position, and wrap a shop towel around the shift lever.

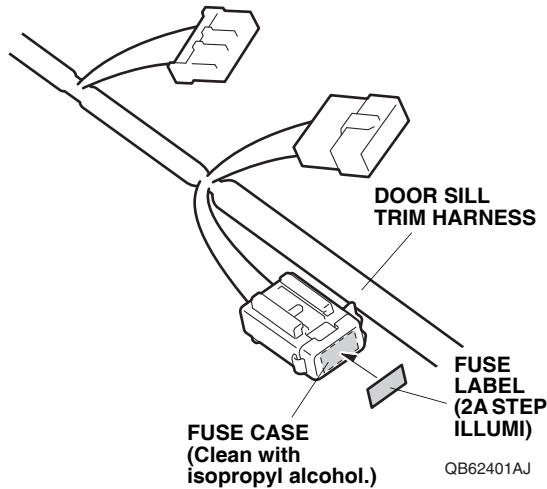


- Remove the center lower panel (two self-tapping screws, four clips, and unplug the vehicle connectors, if equipped).



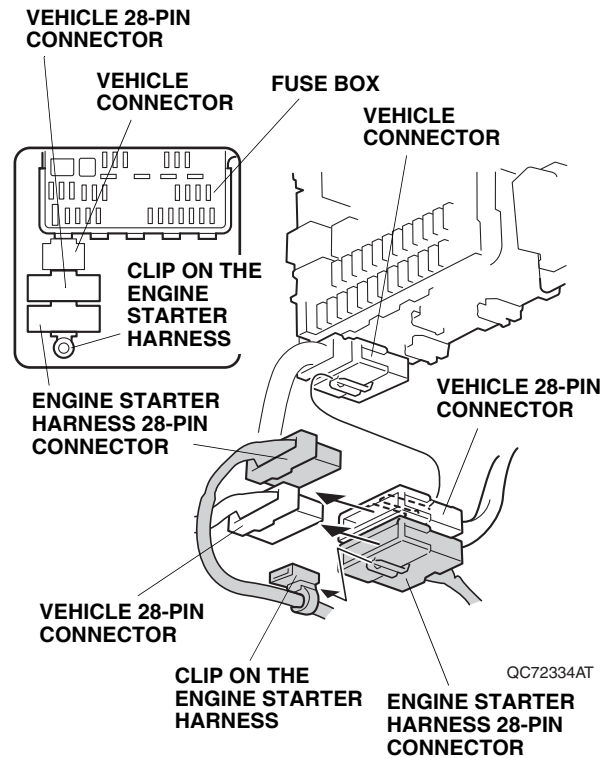
## Routing the Door Sill Trim Harness

- Using isopropyl alcohol on a shop towel, thoroughly clean the door sill trim harness fuse case where the fuse label will attach.

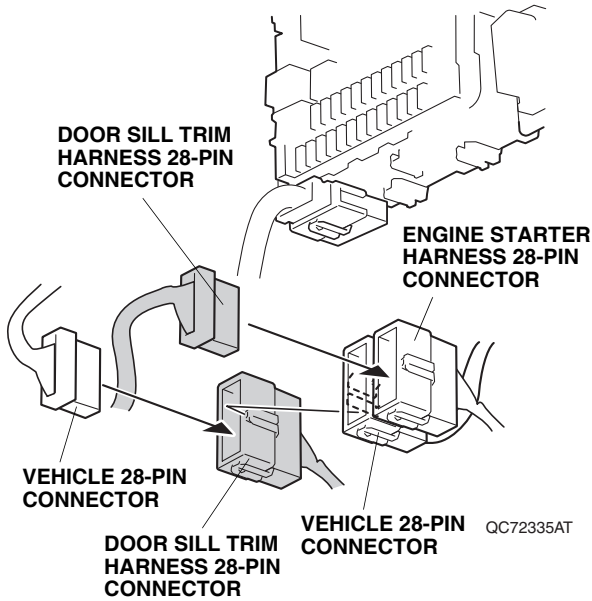


- Attach the fuse label (2A STEP ILLUMI) to the door sill trim harness fuse case.

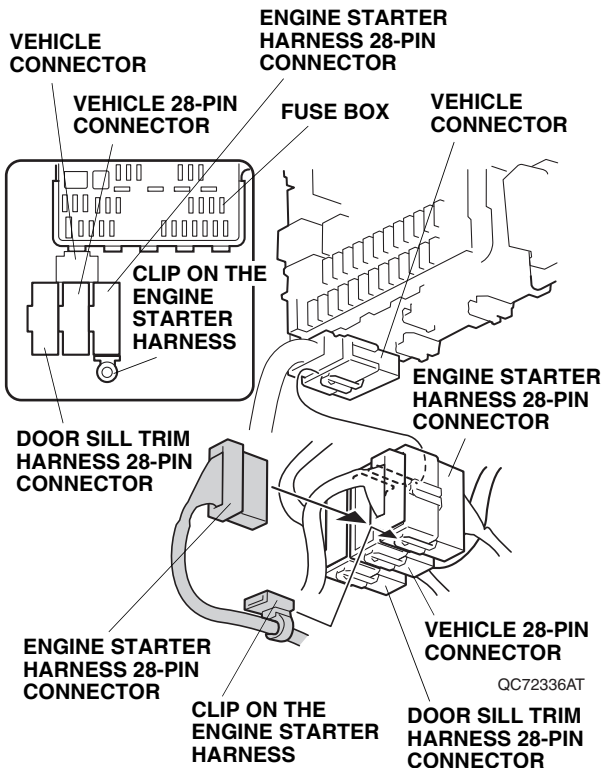
- If the vehicle is equipped with an accessory remote control engine starter, with moon roof: continue with step 13; without moon roof: continue with step 16. If the vehicle is equipped without an accessory remote control engine starter, go to step 19.
- Remove the connectors and clip on the engine starter harness as shown. Unplug the engine starter harness 28-pin connector from the vehicle 28-pin connector, and the vehicle 28-pin connector from the engine starter harness 28-pin connector.



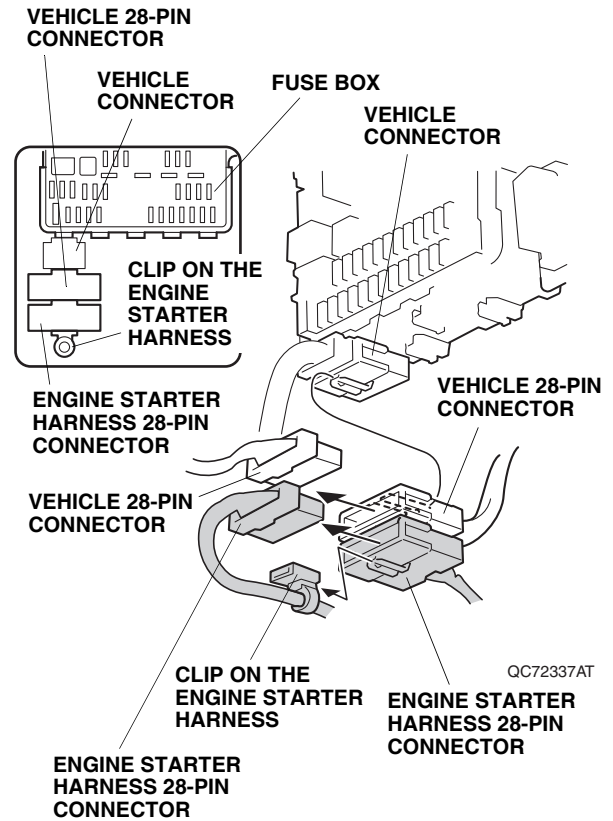
- Plug the door sill trim harness 28-pin connector into the engine starter harness 28-pin connector. Plug the vehicle 28-pin connector into the remaining door sill trim harness 28-pin connector, and attach them to the vehicle 28-pin connector.



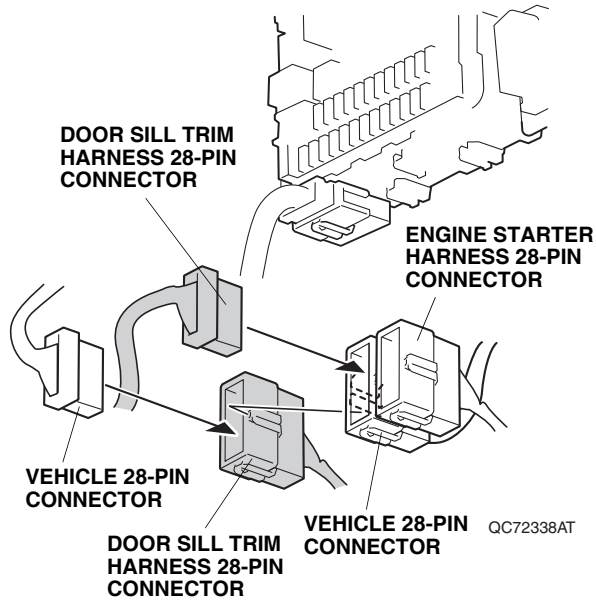
- Plug the engine starter harness 28-pin connector into the vehicle 28-pin connector. Attach the connectors and clip on the engine starter harness as shown. Go to step 21.



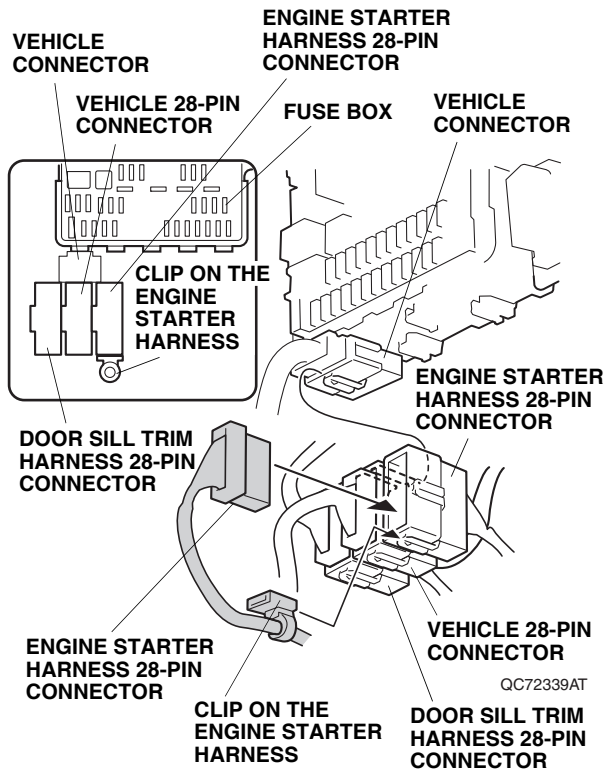
- Remove the connectors and clip on the engine starter harness as shown. Unplug the engine starter harness 28-pin connector from the engine starter harness 28-pin connector, and the vehicle 28-pin connector from the vehicle 28-pin connector.



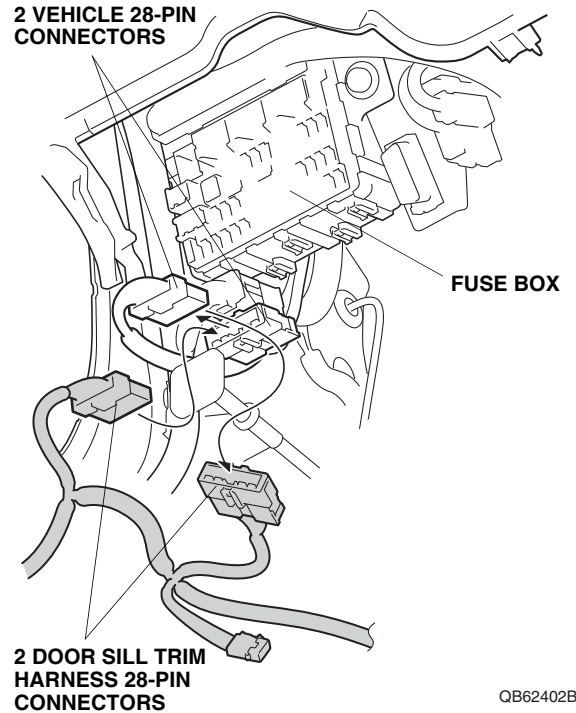
17. Plug the door sill trim harness 28-pin connector into the vehicle 28-pin connector. Plug the vehicle 28-pin connector into the remaining door sill trim harness 28-pin connector, and attach them to the vehicle 28-pin connector.



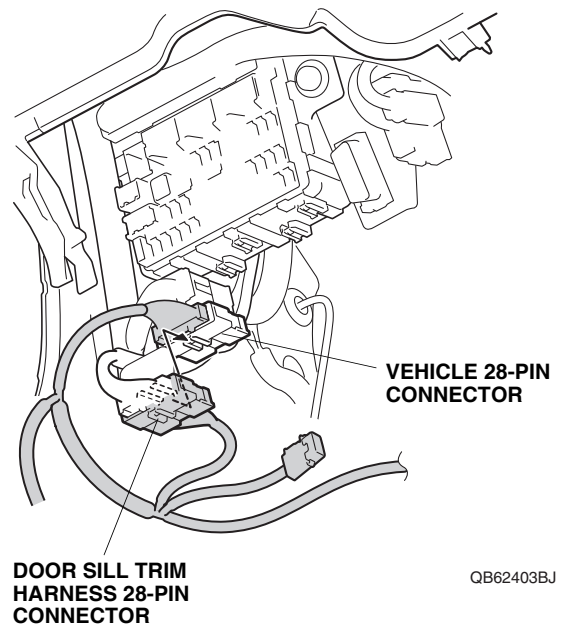
18. Plug the engine starter harness 28-pin connector into the engine starter harness 28-pin connector. Attach the connectors and clip on the engine starter harness as shown. Go to step 21.



19. Attached to the bottom of the fuse box, locate the vehicle 28-pin connector. Unplug the vehicle 28-pin connector and plug it into the door sill trim harness 28-pin connector. Plug the door sill trim harness 28-pin connector into the vehicle 28-pin connector.

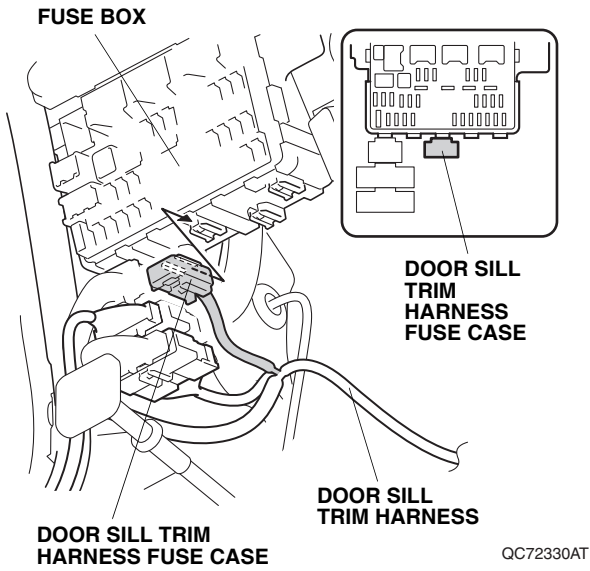


20. Attach the door sill trim harness 28-pin connector to the vehicle 28-pin connector.

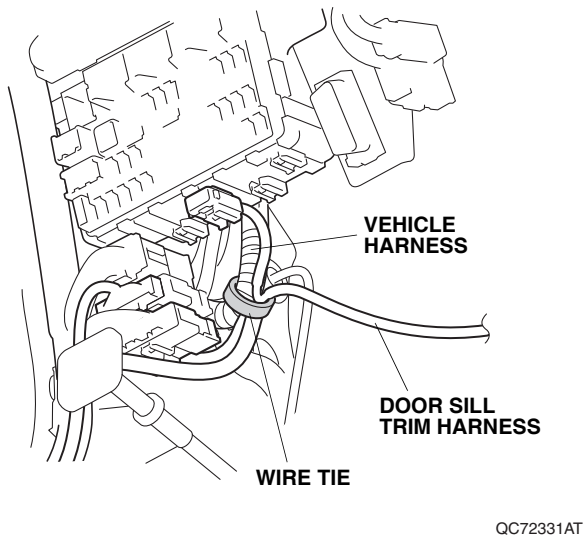




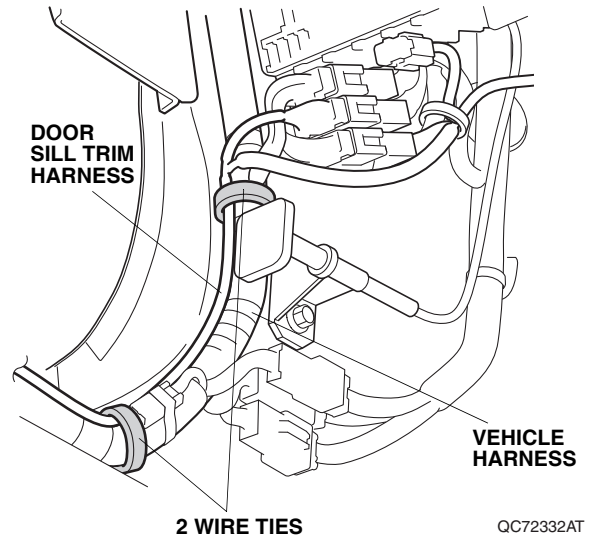
21. Attach the door sill trim harness fuse case to the bottom of fuse box.



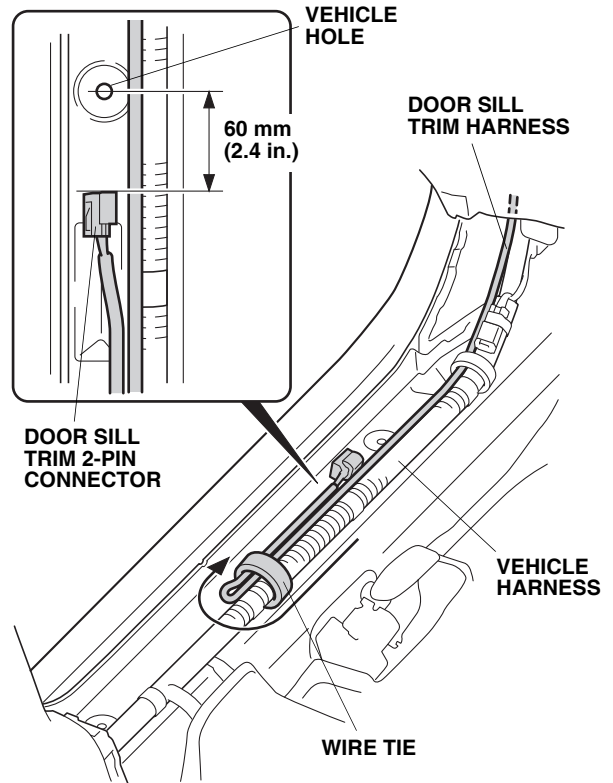
22. Secure the door sill trim harness to the vehicle harness with one wire tie.



23. At the door sill area, secure the door sill trim harness to the vehicle harness with two wire ties.

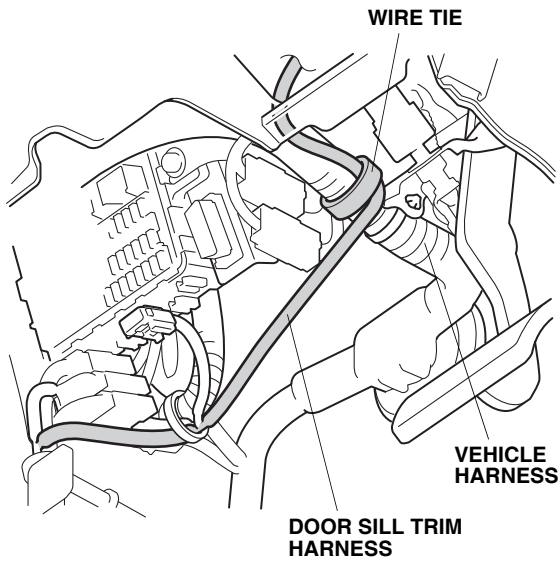


24. Continue to route the door sill trim harness along the vehicle harness, then loop the connector back to the measurement shown. Secure the door sill trim harness to the vehicle harness with one wire tie.



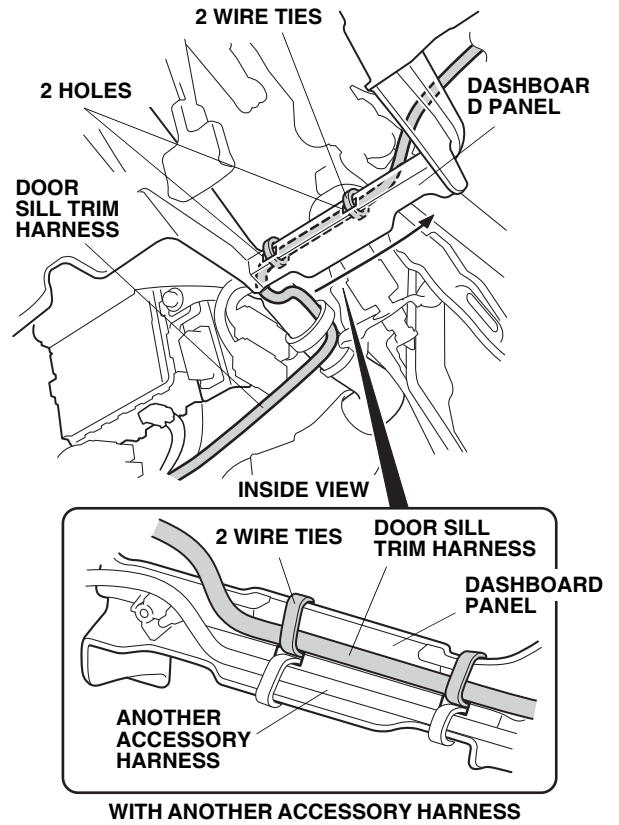


25. Route the other end of the door sill trim harness up and over to the vehicle harness. Secure the door sill trim harness to the vehicle harness with one wire tie.



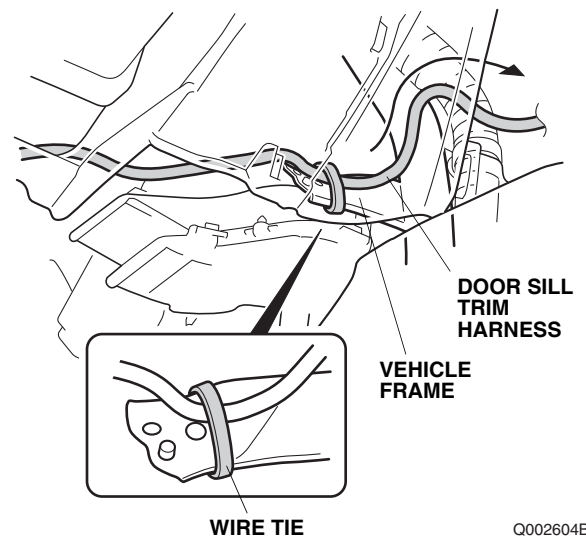
QC72333AT

26. Secure the door sill trim harness to the holes in the dashboard panel with two wire ties. If another accessory harness is already attached to the dashboard panel, route and attach the other harness below the door sill trim harness.



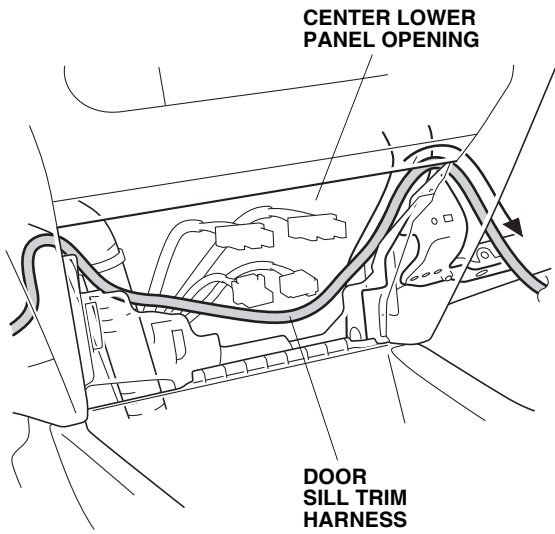
QB62408AJ

27. Route the door sill trim harness toward the passenger side of the vehicle, and secure it to the vehicle frame with one wire tie.



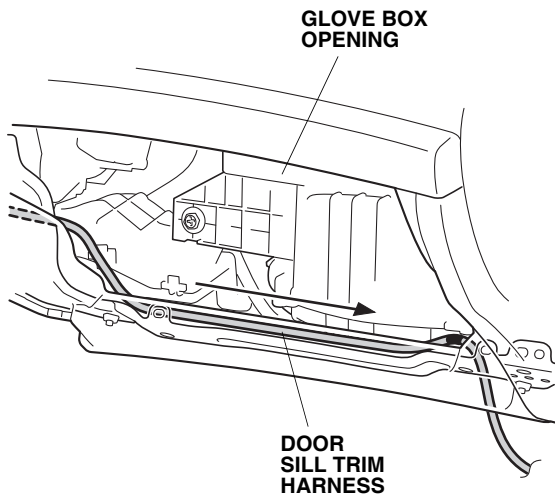
Q002604BH

28. Route the door sill trim harness through the center lower panel opening.



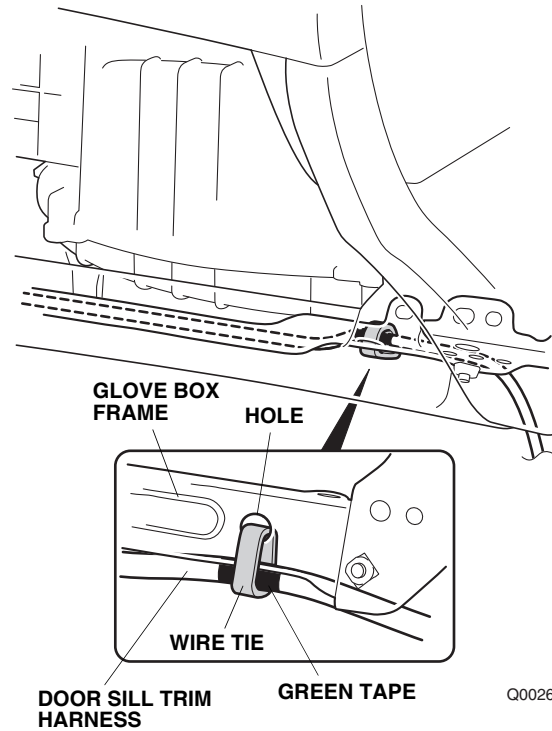
Q002605AH

29. Route the door sill trim harness through the glove box opening.



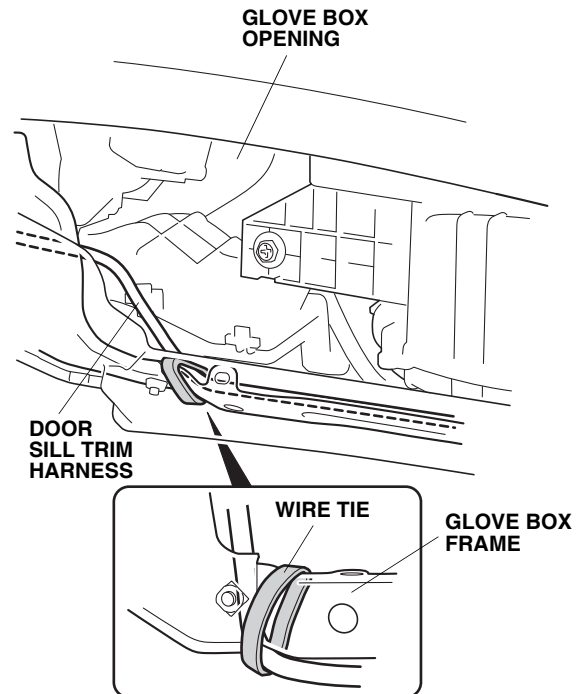
Q002606AH

30. Align the green tape on the door sill trim harness with the hole in the glove box frame, and secure the door sill trim harness to the glove box frame with one wire tie.



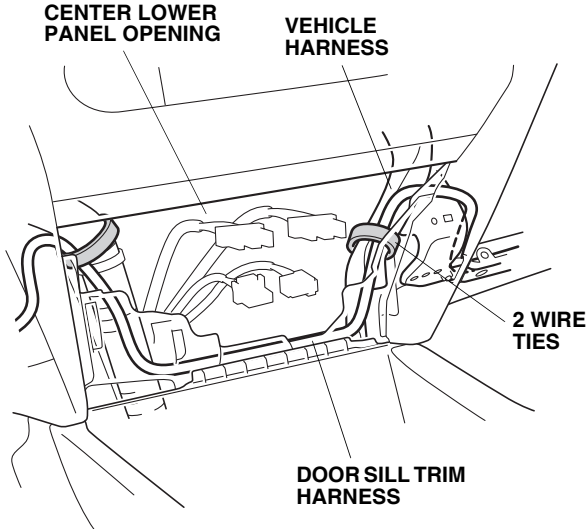
Q002607AH

31. Secure the door sill trim harness to the glove box frame with one wire tie.



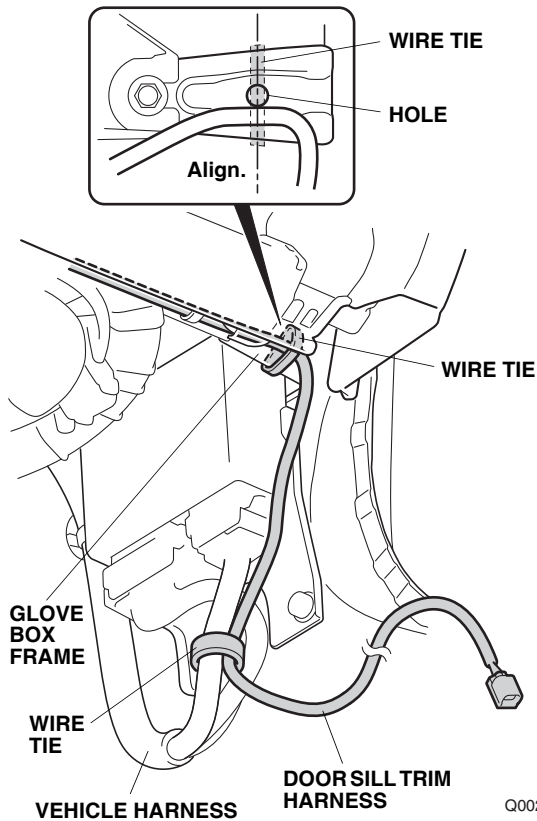
Q002608AH

32. Inside the center lower panel opening, secure the door sill trim harness to the vehicle harness with two wire ties.



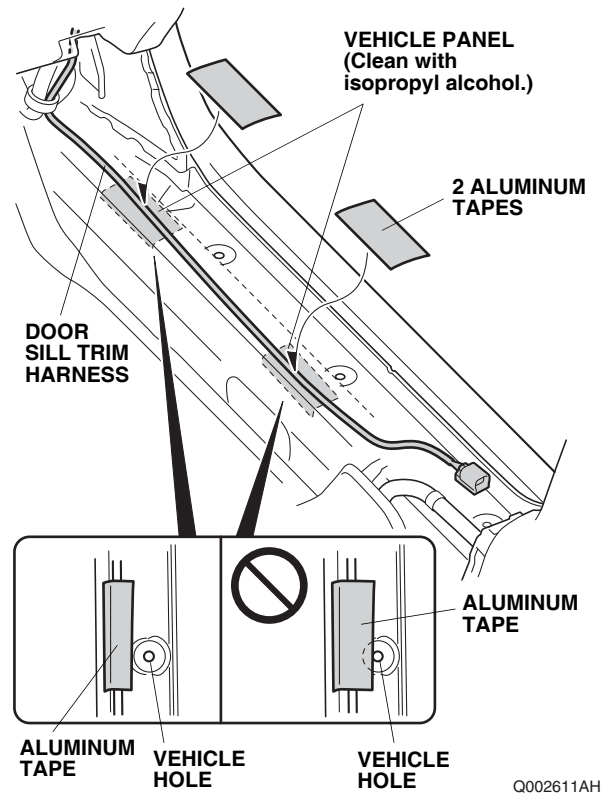
QB62409AJ

33. Secure the door sill trim harness to the glove box frame and the vehicle harness with two wire ties.



Q002610AH

34. Using isopropyl alcohol on a shop towel, thoroughly clean the vehicle panel where the aluminum tape will attach.

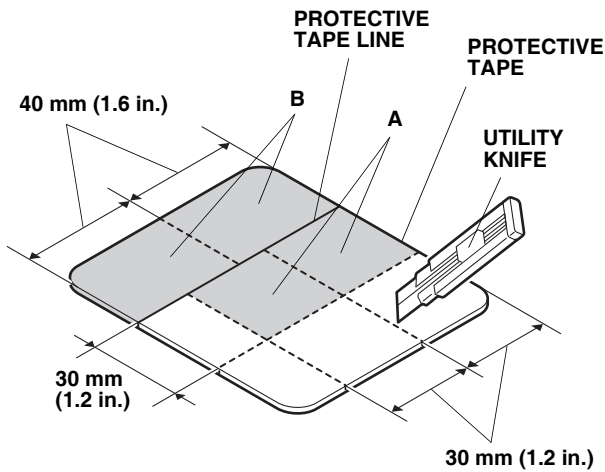


Q002611AH

35. Secure the door sill trim harness to the vehicle panel with two aluminum tapes. Do not attach the aluminum tape over any vehicle holes.

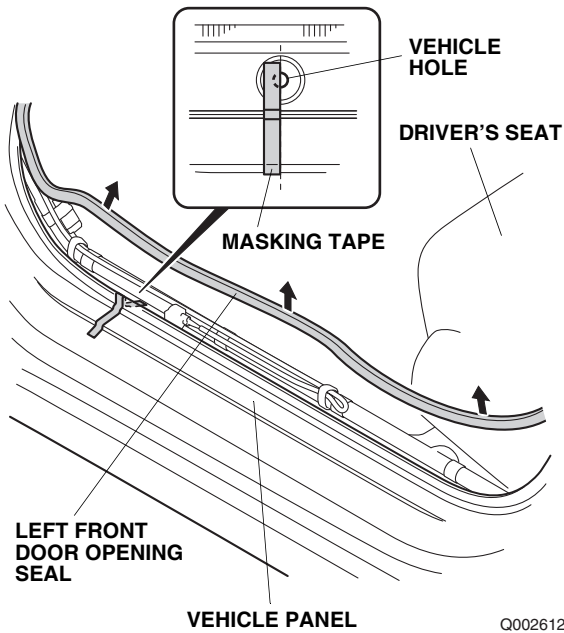
**Installing the Front Illuminated Door Sill Trim (Driver's side)**

36. Using a utility knife, cut one protective tape at the measurements shown.



7D1509BR

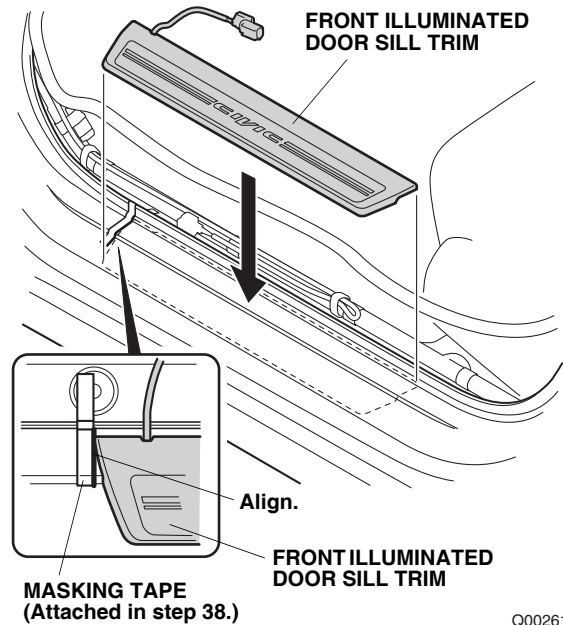
37. Pull away the left front door opening seal.



Q002612AH

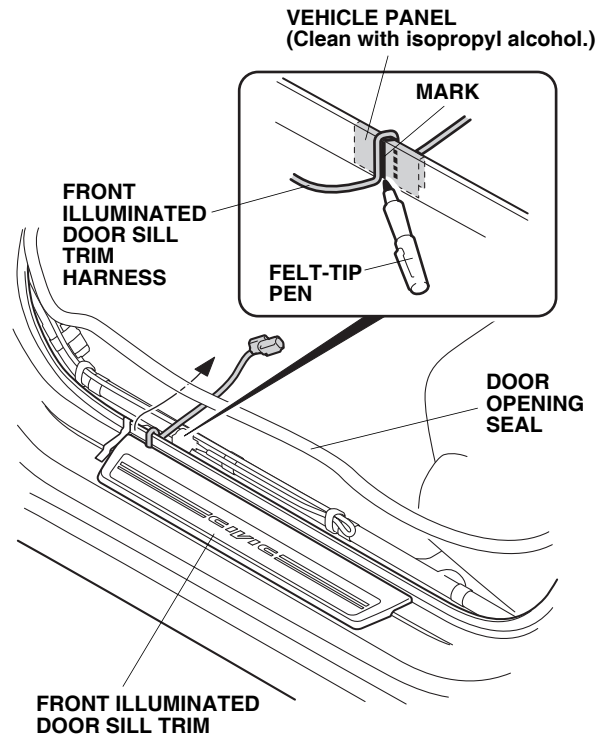
38. Attach a strip of masking tape to the vehicle panel at the location shown.

39. Position the front illuminated door sill trim with the masking tape.



Q002613AH

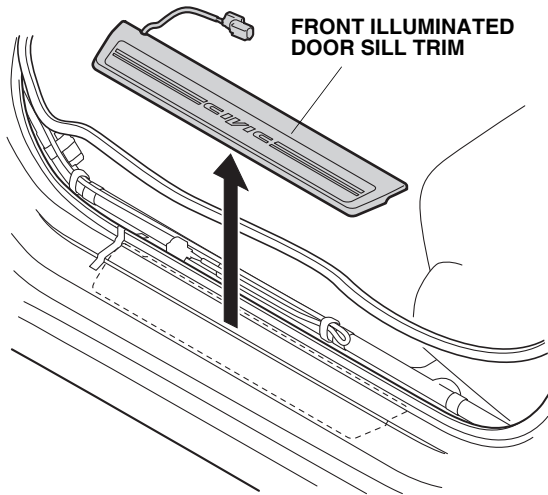
40. Route the front illuminated door sill trim harness over the vehicle panel of the door opening seal.



QB62410AJ

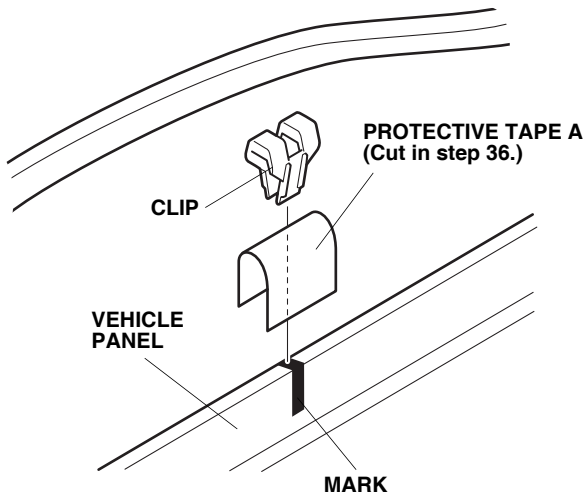
41. Using isopropyl alcohol on a shop towel, clean the vehicle panel around the harness, then use a felt-tip pen to mark the vehicle panel at the harness.

42. Remove the front illuminated door sill trim from the vehicle panel.



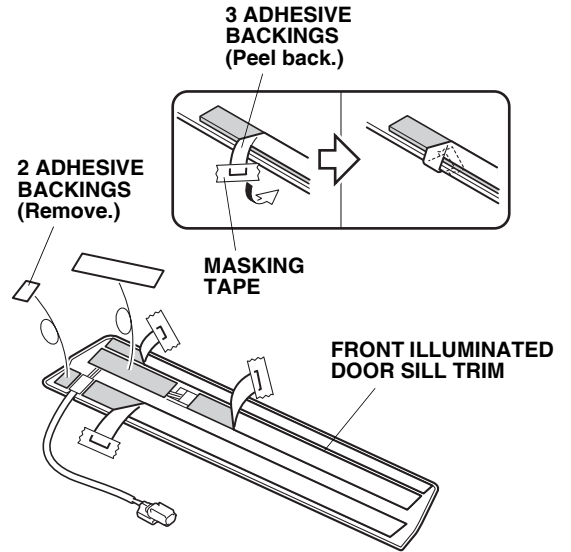
QB62411AJ

43. Attach one protective tape A over the mark you made on the vehicle panel, and install one clip over the protective tape.



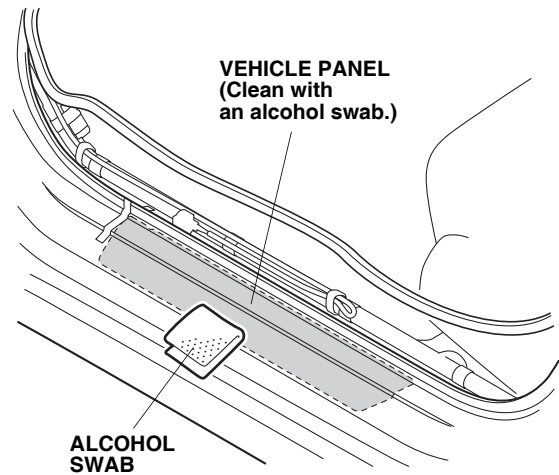
QAD1512AH

44. Peel back the ends of three adhesive backings on the front illuminated door sill trim and attach them to the front of the trim with masking tape. Remove the other two adhesive backings.



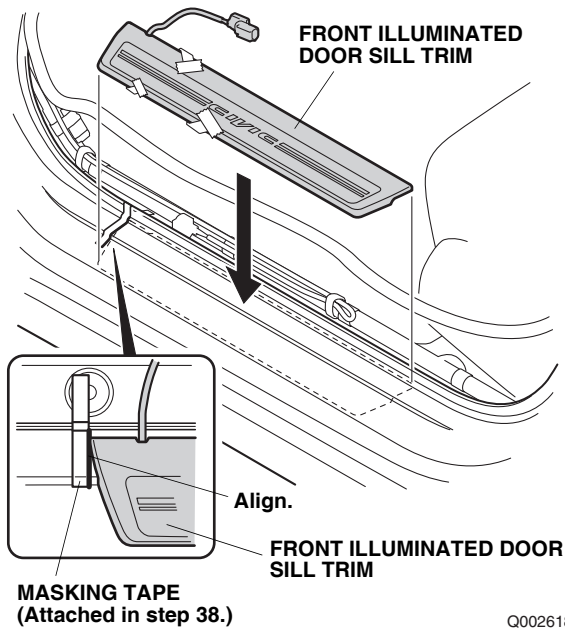
Q002617AH

45. Using an alcohol swab, thoroughly clean the vehicle panel where the front illuminated door sill trim will attach.

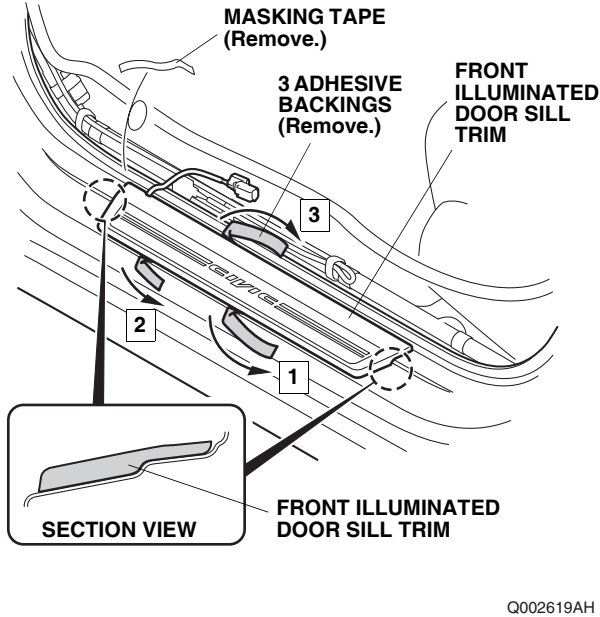


QB62412AJ

46. Position the front illuminated door sill trim on the vehicle panel and align it with the masking tape.

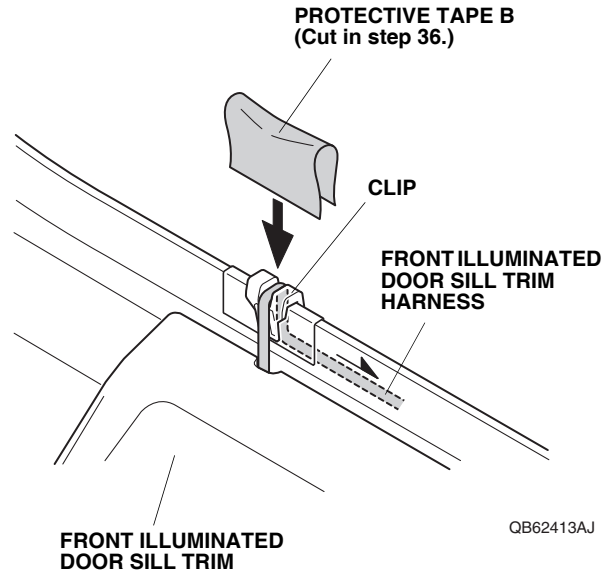


47. Attach the front illuminated door sill trim to the vehicle panel by removing three adhesive backings in the order shown and pressing on the trim firmly with your hands.

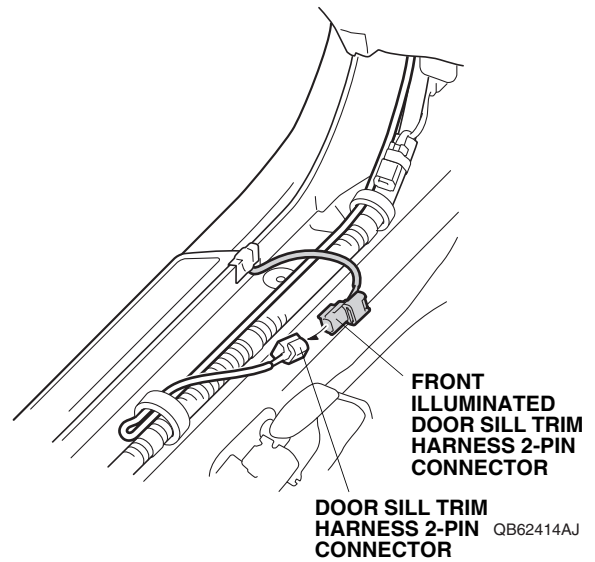


48. Remove the masking tape.

49. Route the front illuminated door sill trim harness through the clip you installed, and attach one piece of protective tape B over the clip.

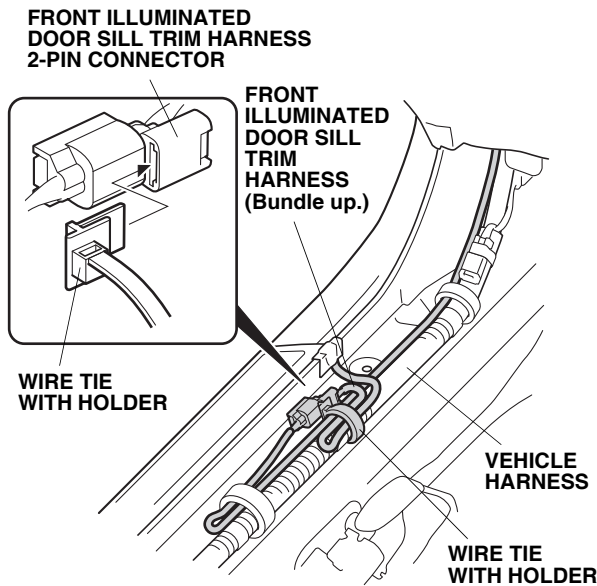


50. Plug the front illuminated door sill trim harness 2-pin connector into the door sill trim harness 2-pin connector.





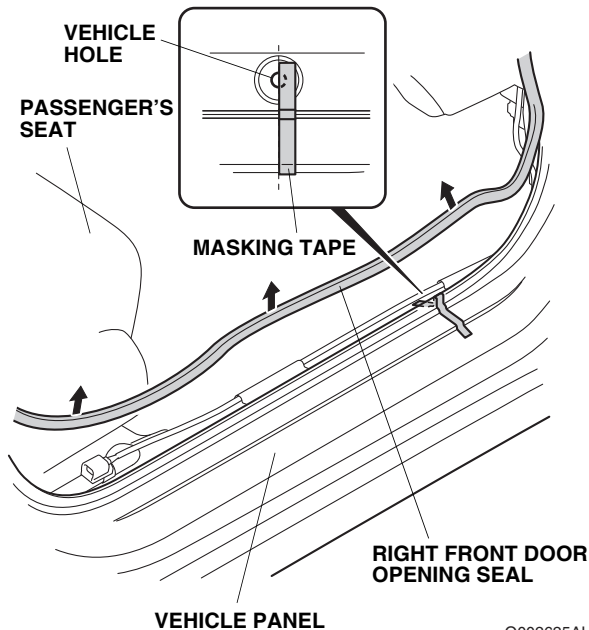
51. Bundle up the excess front illuminated door sill trim harness, and secure it to the vehicle harness with one wire tie with holder.



QB62415AJ

### Installing the Front Illuminated Door Sill Trim (Passenger's side)

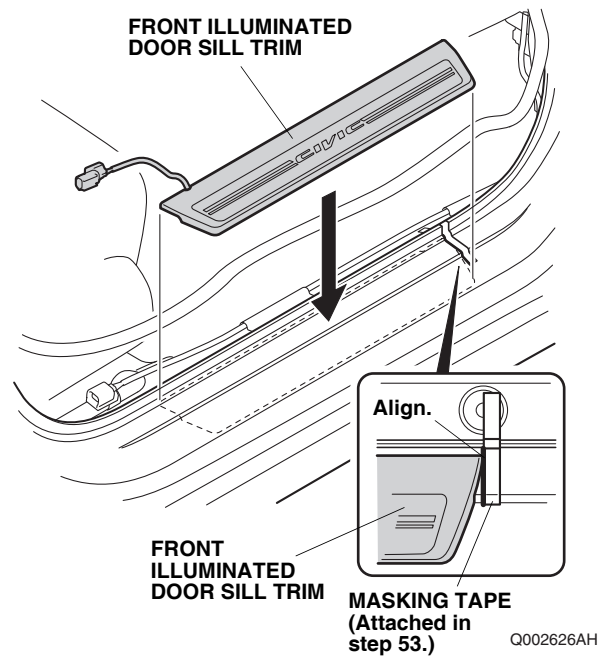
52. Pull away the right front door opening seal.



Q002625AH

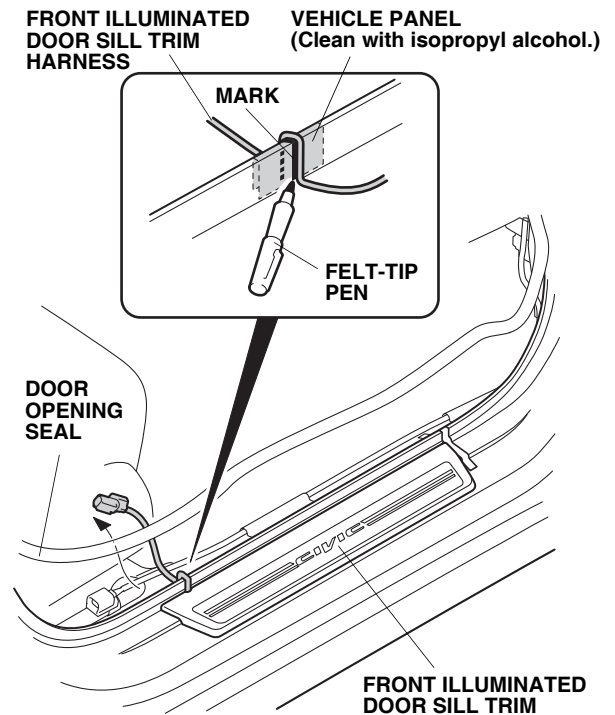
53. Attach a strip of masking tape to the vehicle panel at the location shown.

54. Position the front illuminated door sill trim with the masking tape.



Q002626AH

55. Route the front illuminated door sill trim harness over the vehicle panel of the door opening seal.

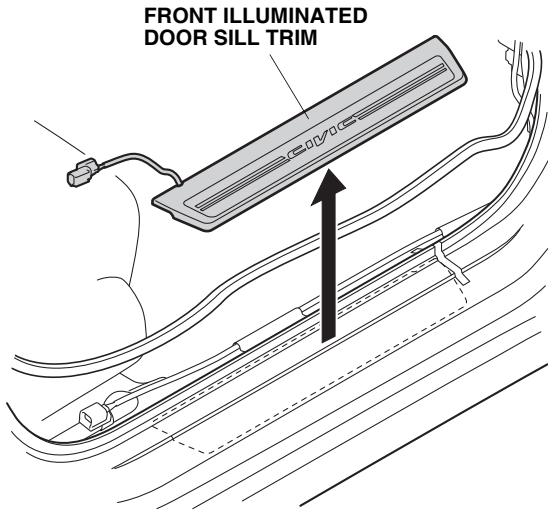


QB62416AJ

56. Using isopropyl alcohol on a shop towel, clean the vehicle panel around the harness, then use a felt-tip pen to mark the vehicle panel at the harness.

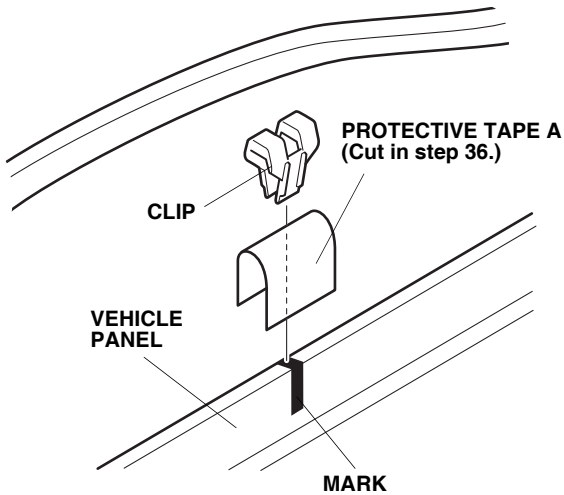


57. Remove the front illuminated door sill trim from the vehicle panel.



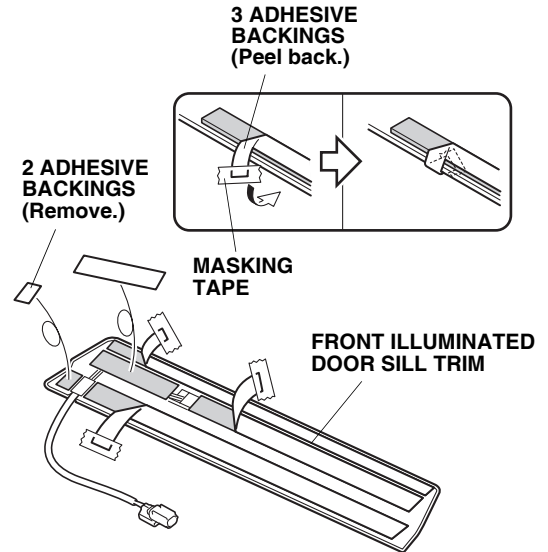
QB62417AJ

58. Attach one protective tape A over the mark you made on the vehicle panel, and install one clip over the protective tape.



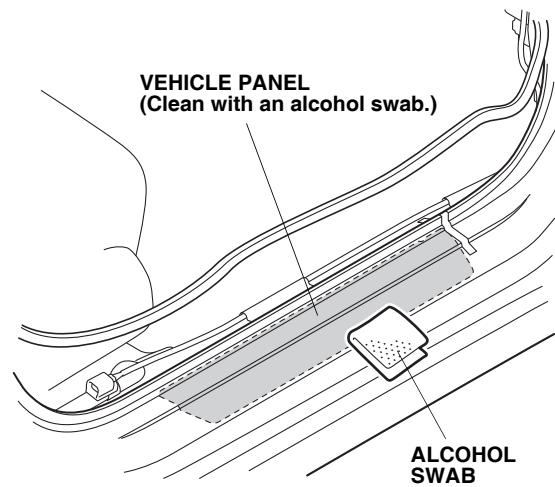
QAD1512AH

59. Peel back the ends of three adhesive backings on the front illuminated door sill trim and attach them to the front of the trim with masking tape. Remove the other two adhesive backings.



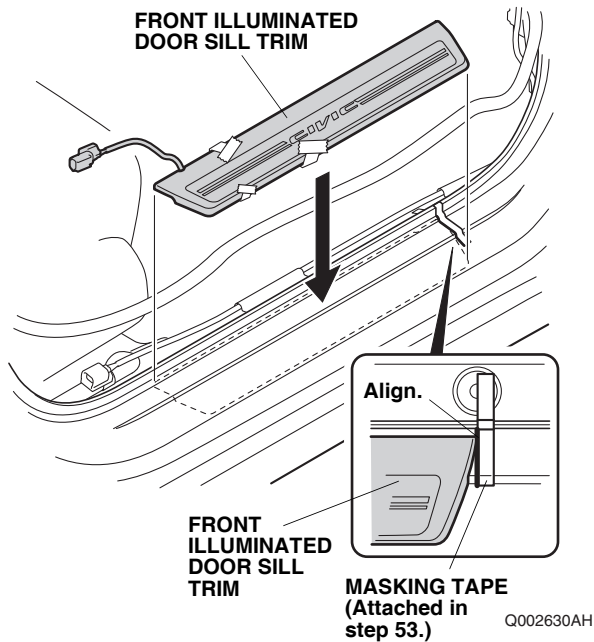
Q002617AH

60. Using an alcohol swab, thoroughly clean the vehicle panel where the front illuminated door sill trim will attach.

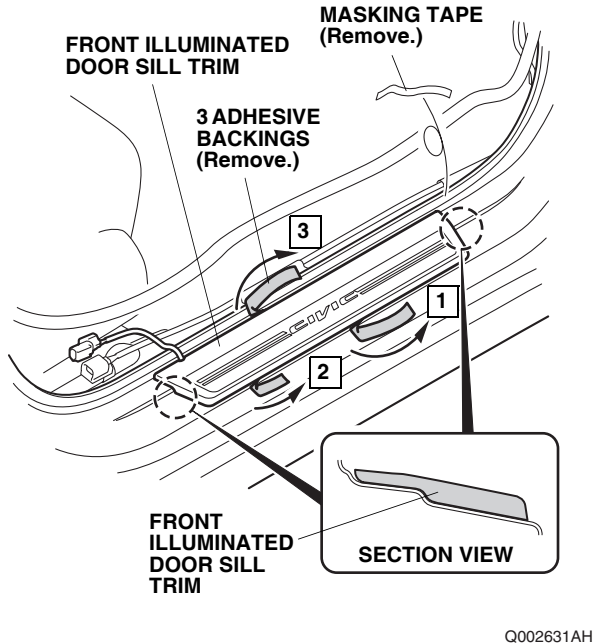


QB62418AJ

61. Position the front illuminated door sill trim on the vehicle panel and align it with the masking tape.

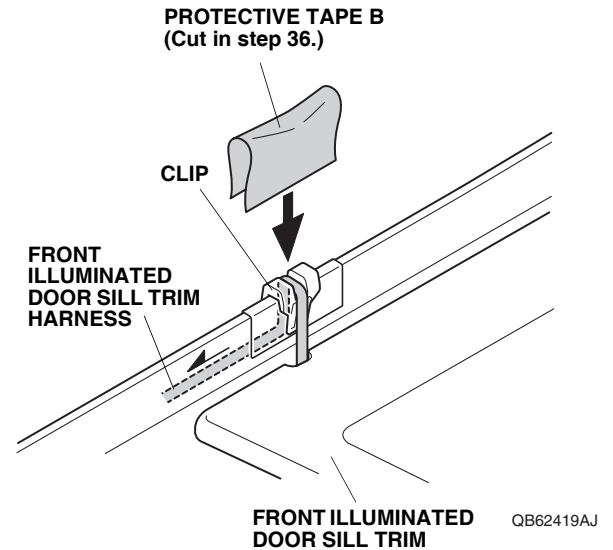


62. Attach the front illuminated door sill trim to the vehicle panel by removing three adhesive backings in the order shown and pressing on the trim firmly with your hands.

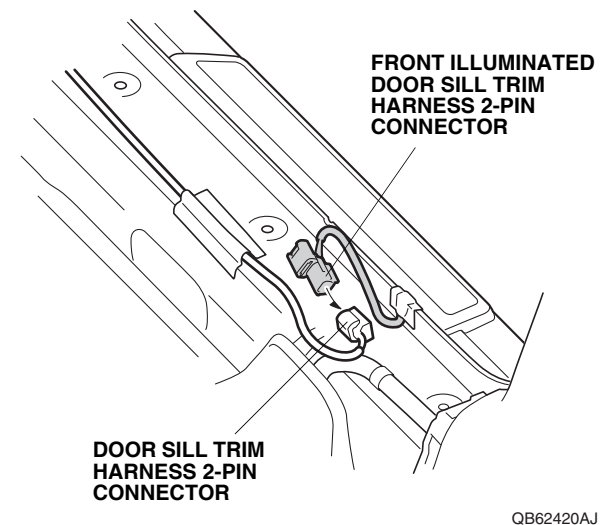


63. Remove the masking tape.

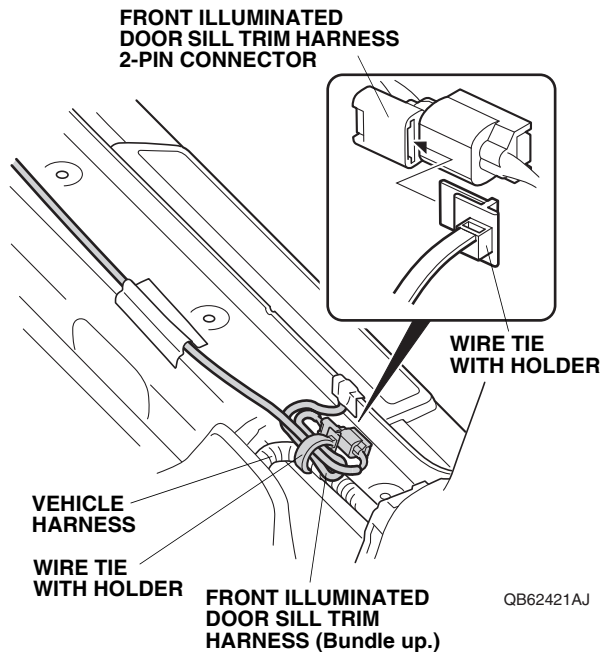
64. Route the front illuminated door sill trim harness through the clip you installed, and attach one piece of protective tape B over the clip.



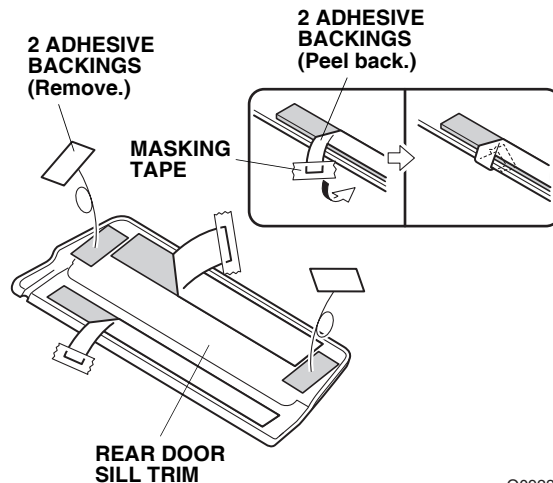
65. Plug the front illuminated door sill trim harness 2-pin connector into the door sill trim harness 2-pin connector.



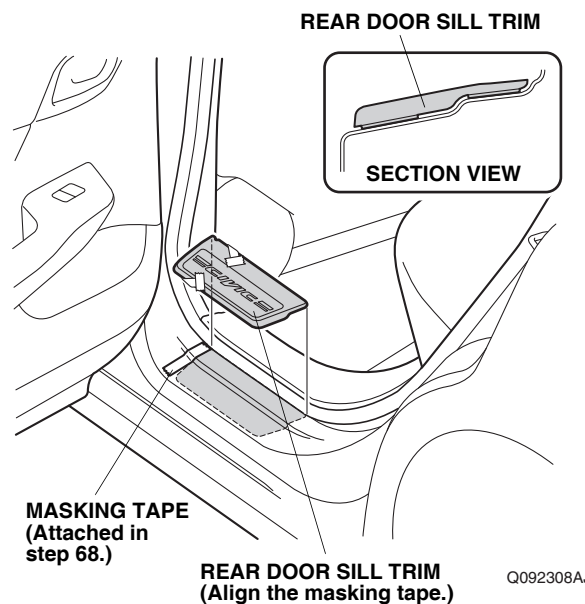
66. Bundle up the excess front illuminated door sill trim harness, and secure it to the vehicle harness with one wire tie with holder.



70. Peel back the ends of two adhesive backings on the rear door sill trim and attach them to the front of the trim with masking tape. Remove the other two adhesive backings.

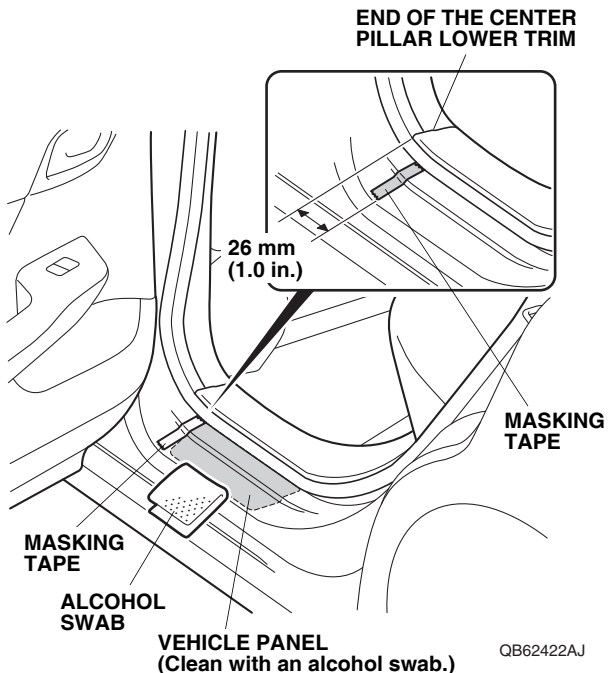


71. Position the rear door sill trim with the masking tape.



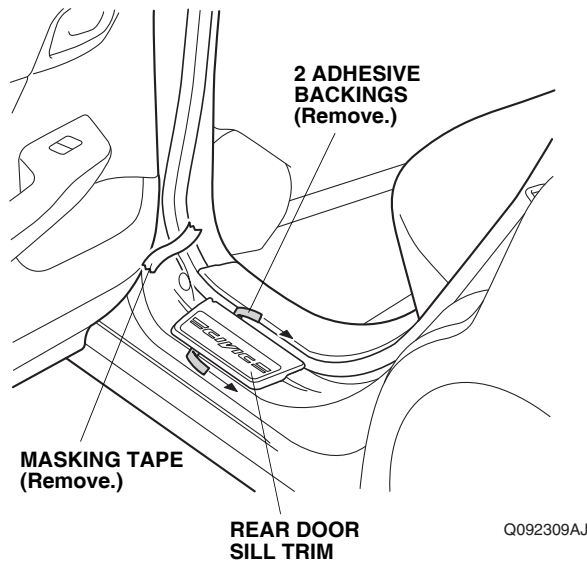
### Installing the Rear Door Sill Trim

67. Open the left rear door.



68. Attach a strip of masking tape to the vehicle panel at the measurement shown.
69. Using an alcohol swab, thoroughly clean the vehicle panel where the rear door sill trim will attach.

72. Attach the rear door sill trim to the vehicle panel by removing two adhesive backings and pressing on the trim firmly with your hands.



73. Remove the masking tape.
74. Repeat steps 67 through 73 to install the rear door sill trim on the right side of the vehicle.
75. Check that all wire harnesses are routed properly and all connectors are plugged in.
76. Reinstall all removed parts.
77. Reconnect the negative cable to the battery and check the operation of all lights and electrical accessories.
78. Press and hold the radio power button for two seconds to restore the radio and navi (if equipped) system functions.
79. Reset the clock.
80. Restore the systems back to normal operation as described in the Service Manual if necessary.
81. The front illuminated door sill trims come on when each door opens.
82. If the IMA battery level gauge is at zero, start the engine and hold the rpm between 3 500 and 4 000 (no load) in "P" or "N" position until the Charge/Assist meter indicates the IMA system has stopped charging the battery.